

PRODUCT INFORMATION PACKET

Model No: 048S17D2113
Catalog No: S026
1/3,1800,DP,48,1/60/115
Open Drip Proof (ODP)



Regal and Marathon are trademarks of Regal Beloit Corporation or one of its affiliated companies.
©2018 Regal Beloit Corporation, All Rights Reserved. MC017097E





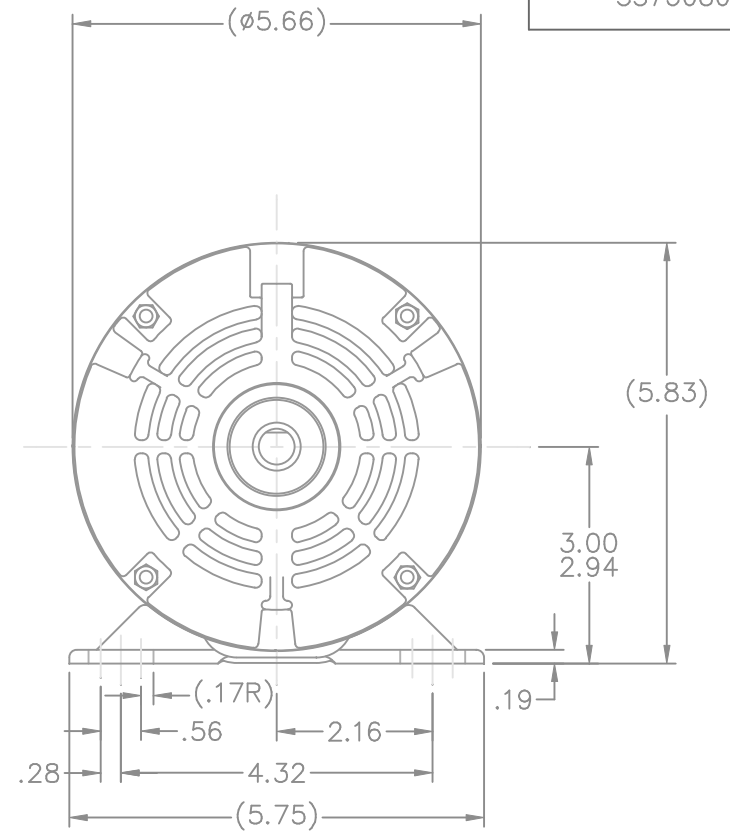
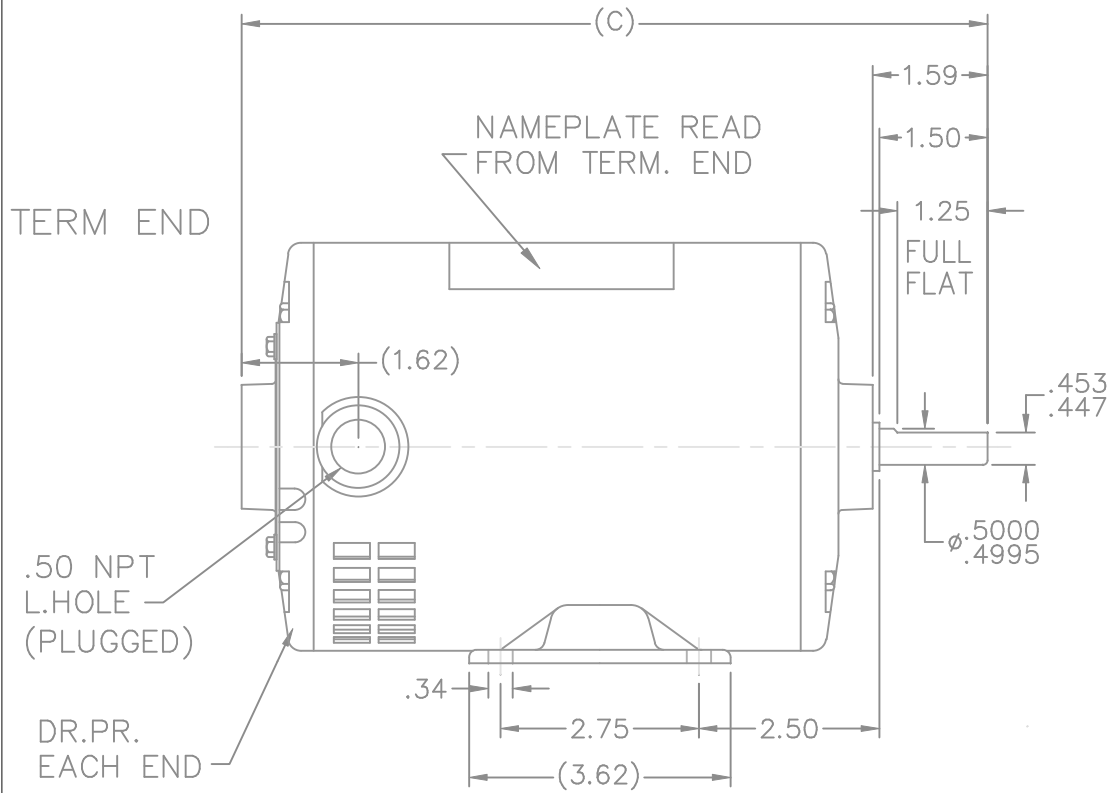
Nameplate Specifications

Output HP	0.33 Hp	Output KW	0.25 kW
Frequency	60 Hz	Voltage	115 V
Current	6.6 A	Speed	1725 rpm
Service Factor	1	Phase	1
Efficiency	57.5 %	Duty	Continuous
Insulation Class	B	Design Code	NO DESIGN CODE
KVA Code	R	Frame	48
Enclosure	Drip Proof	Overload Protector	Automatic
Ambient Temperature	40 °C	Drive End Bearing Size	6203
Opp Drive End Bearing Size	6203	UL	Recognized
CSA	Y	CE	N
IP Code	22		

Technical Specifications

Electrical Type	Split Phase	Starting Method	Across The Line
Poles	4	Rotation	Selective Counterclockwise
Mounting	Rigid base	Motor Orientation	Horizontal
Drive End Bearing	Ball	Opp Drive End Bearing	Ball
Frame Material	Rolled Steel	Shaft Type	NEMA 48
Overall Length	9.34 in	Frame Length	5.75 in
Shaft Diameter	0.500 in	Shaft Extension	1.59 in
Assembly/Box Mounting	F1 Only		
Outline Drawing	A-SS75080-575	Connection Diagram	A-EE7195

SS75080



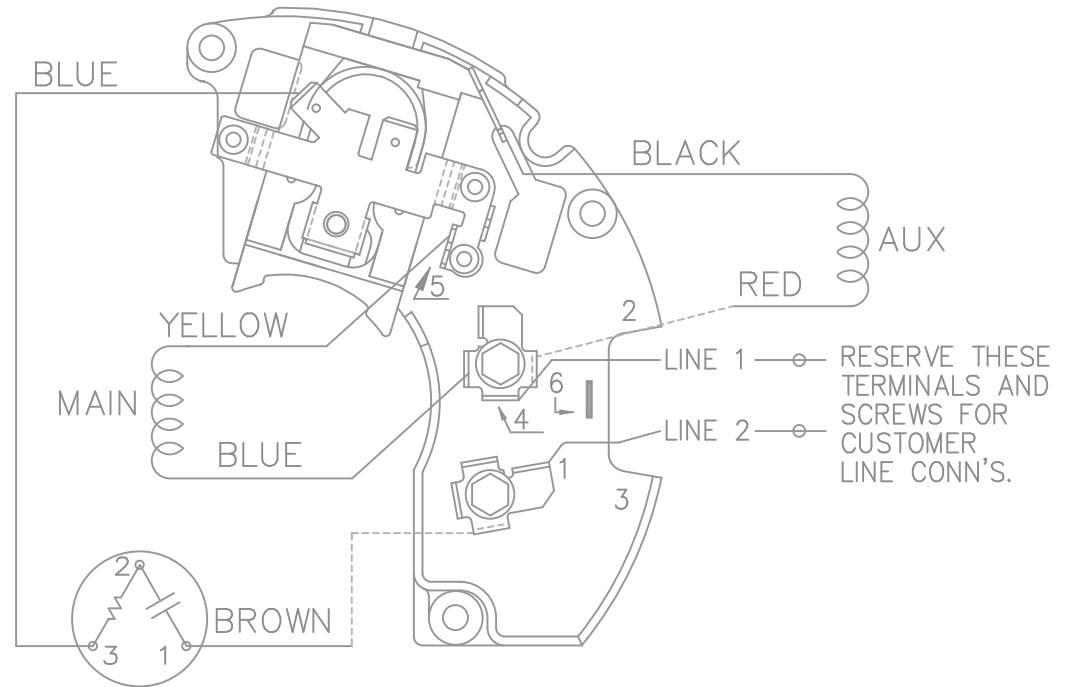
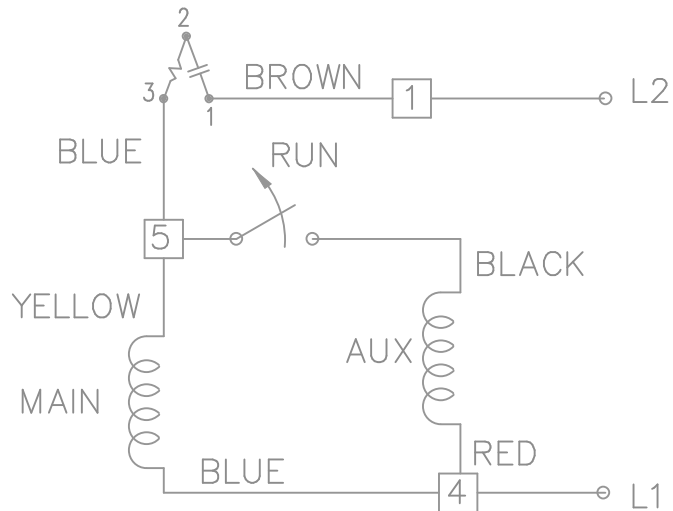
DASH	FR	C	DASH	FR	C
550	48	9.09 01/03/2009			
575	48	9.34	675	48	10.34
600	48	9.59	700	48	10.59
625	48	9.84	725	48	10.84
650	48	10.09	750	48	11.09

				TOLERANCES UNLESS SPECIFIED			DRAWN KL 12-12-1994		
				DEC.	INCHES		CHK SMC 12-14-1994		
				.X	$\pm .1$		APPD MOL 12-14-1994		
5	REDRAWN IN AUTOCAD	TAT 06-29-2004	ML	.XX	$\pm .03$	TITLE OUTLINE	SCALE 3=8		
4	ADDED VENTS TO O.D.E. OF FRAME CN 19513	NJS 01-04-2001		.XXX	$\pm .005$		REF		
3	REDRAWN ON CAD, ADDED NEW REAR BRKT. CN 19513	KL 12-14-1994		.XXXX	$\pm .0005$	MAT'L.	FMF		
NO.	REVISION	BY & DATE	CHK	ANG	$\pm 7'30''$	FINISH	PREV		
			RFP			CAD FILE ss75080	SIZE A	DRAWING NO. SS75080	PAGE OF 5
			DIST	WP-BR					REV. 5

THIS DRAWING IN DESIGN AND DETAIL IS OUR PROPERTY AND MUST NOT BE USED EXCEPT IN CONNECTION WITH OUR WORK ALL RIGHTS OF DESIGN AND INVENTION ARE RESERVED THIS IS AN ELECTRONICALLY GENERATED DOCUMENT - DO NOT SCALE THIS PRINT

3/31/2009 5:18:02 AM

SINGLE VOLTAGE – SPLIT PHASE
 REVERSIBLE ON TERM BOARD
 WITH OVERLOAD PROTECTION



VIEWING TERMINAL END

C.C.W. ROTATION SHOWN.

FOR C.W. ROTATION INTERCHANGE
 YELLOW & BLUE LEADS ON TERM 5 & 4.

DASH LINES INDICATE LEADS CONNECTED
 TO MOTOR SIDE OF SWITCH.

				TOLERANCES UNLESS SPECIFIED			DRAWN ML 01-27-1998		
				DEC.	INCHES		CHK	GK 02-05-1988	
5	REDRAWN ON AUTOCAD	RWR 06-15-2004	ML	.X	± -	TITLE CONNECTION DIAGRAM 48 FR. SINGLE VOLTAGE REVERSIBLE MAT'L. FINISH	APPD	DRN 03-11-1988	
4	REVERSED L1 AND L2 CN19709	AJS 01-16-1995	GK	.XX	± -		SCALE	1=1	
3	REVISED LINE 2 LOCATION CN6427	RM 01-28-1991	GK	.XXX	± -		REF		
2	ADDED CUSTOMER CONNECTION NOTE CN6011	BW 08-03-1989	GK	.XXXX	± -		FMF		
NO.	REVISION	BY & DATE	CHK	ANG	± -		PREV		
THIS DRAWING IN DESIGN AND DETAIL IS OUR PROPERTY AND MUST NOT BE USED EXCEPT IN CONNECTION WITH OUR WORK ALL RIGHTS OF DESIGN AND INVENTION ARE RESERVED THIS IS AN ELECTRONICALLY GENERATED DOCUMENT – DO NOT SCALE THIS PRINT				RFP	CAD FILE ee7195		SIZE	DRAWING NO. PAGE 1 OF 1	REV.
				DIST	LB	A	EE7195	5	

